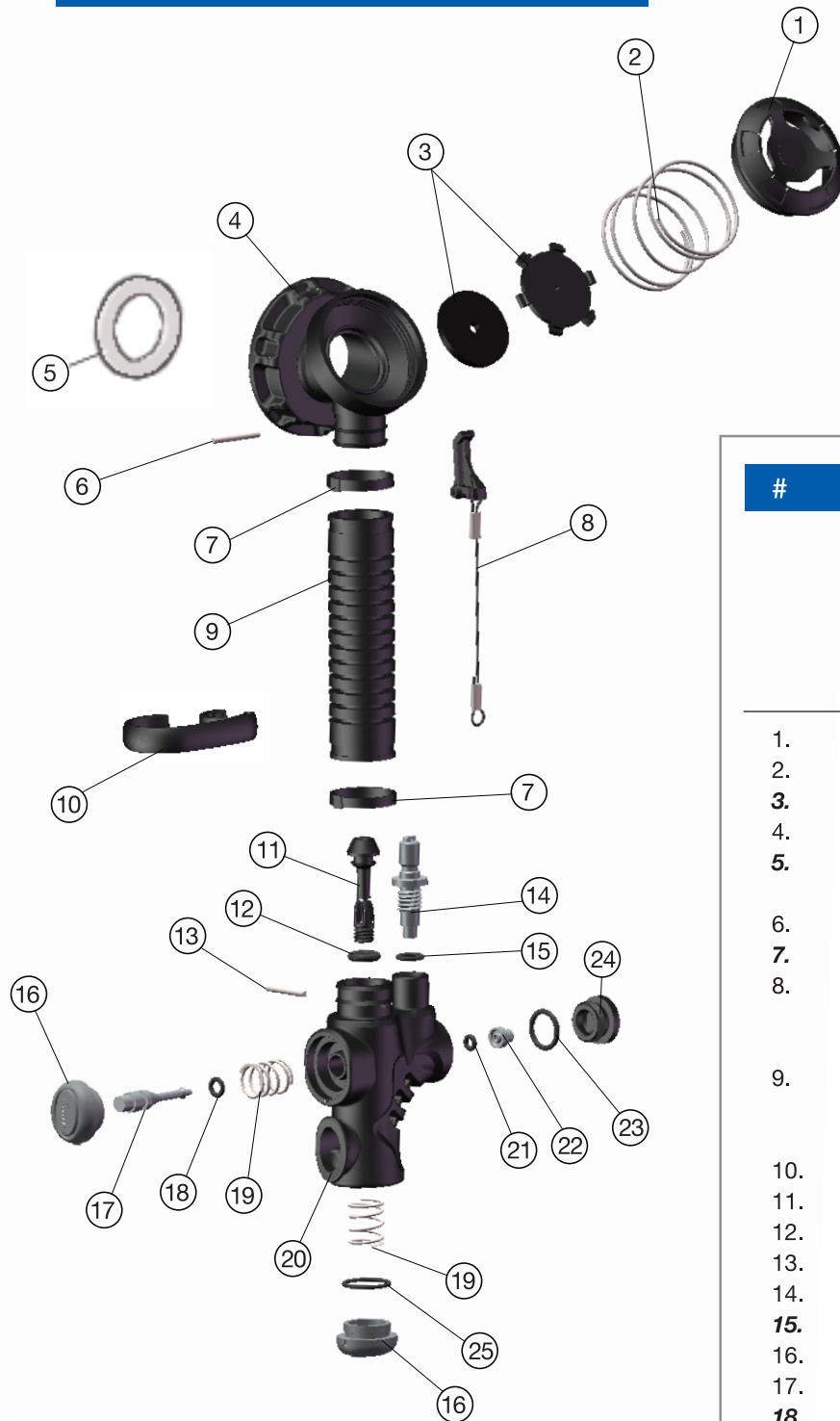




*BUOYANCY COMPENSATORS / INFLATORS
EXPLODED DIAGRAMS*



MICRO INFLATOR AIRWAY COMPLETE



#	Part #	Description
---	--------	-------------

	BK02	SERVICE KIT FOR MICRO INFLATOR AIRWAY COMPLETE
	BP600-14	MICRO INFLATOR AIRWAY 14"
	BP600-16	MICRO INFLATOR AIRWAY 16"
	BP600-18	MICRO INFLATOR AIRWAY 18"
	BP605	MICRO INFLATOR - LOWER UNIT

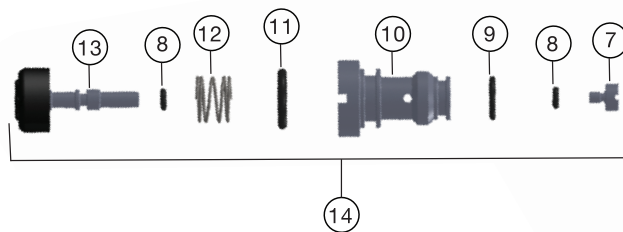
1.	BP626	CAP
2.	BP630	SPRING
3.	BP628	RETAINER w/ SEAL
4.	BP627	UPPER HOUSING
5.	BP632	MANIFOLD GASKET, WHITE (FORMALY GRAY)
6.	BP631	RETAINER PIN
7.	BP635	TIE WRAP
8.	BP634-14	14" CABLE ASSEMBLY
	BP634-16	16" CABLE ASSEMBLY
	BP634-18	18" CABLE ASSEMBLY
9.	BP633-14	14" CORRUGATED HOSE
	BP633-16	16" CORRUGATED HOSE
	BP633-18	18" CORRUGATED HOSE
10.	BP629	HOSE CLIP
11.	BP612	ORAL STEM
12.	BP613	O-RING
13.	BP625	RETAINER PIN
14.	BP617	QD NIPPLE
15.	BP618	O-RING
16.	BP614	BUTTON
17.	BP619	DRIFT PIN
18.	BP620	O-RING
19.	BP624	SPRING
20.	BP611	BODY
21.	BP622	O-RING
22.	BP621	SEAT
23.	BP616	O-RING
24.	BP615	END CAP
25.	BP623	O-RING

Part numbers in bold italics are standard replacement parts



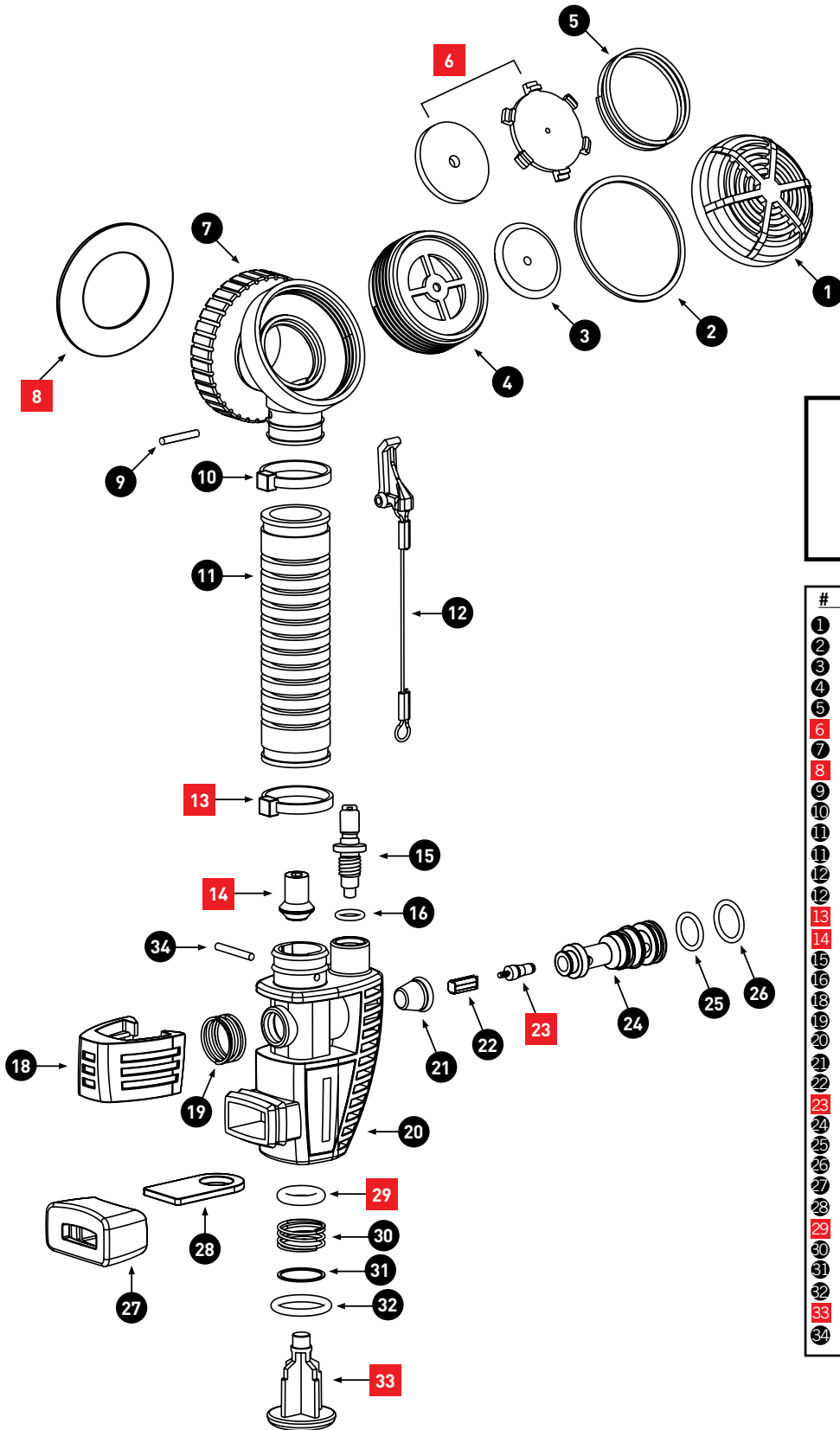
#	Part #	Description
	BKH01	SERVICE KIT, HIGHLAND INFLATOR
	TL126	HIGHLAND INFLATOR TOOL
	BPH30	HIGHLAND INFLATOR 19" AIRWAY COMPLETE (COARSE THREAD)
	HL205	HIGHLAND INFLATOR - LOWER UNIT
1a.	BPH22	CORRUGATED OVAL HOSE 1" ID x 19" LENGTH
1b.	BPH19	CORRUGATED HOSE 1" ID x 16" LENGTH (OLDER STYLE)
2.	BPH18	CABLE PIN
3.	BPH06	ORAL SEAT
4.	<i>BPH05</i>	<i>O-RING FOR ORAL SEAT</i>
5.	BPH08	QD NIPPLE
6.	<i>BPH07</i>	<i>O-RING</i>
7.	BPH09	POWER SEAT
8.	<i>BPH10</i>	<i>O-RING</i>
9.	<i>BPH12</i>	<i>O-RING</i>
10.	BPH14	VALVE HOUSING
11.	<i>BPH13</i>	<i>O-RING</i>
12.	BPH15	POWER SPRING
13.	BPH16	POWER BUTTON & STEM ASSY.
14.	BPH20	POWER SHAFT COMPLETE-FIELD SERVICE
15.	BPH17	MOUTHPIECE
16.	BPH04	PLUG
17.	BPH03	ORAL INFLATOR SPRING
18.	BPH01	ORAL BUTTON (BLACK) AND STEM ASSEMBLY
19.	BPH21	ELBOW
20.	BPH26	COLLAR NUT - COARSE THREAD (CURRENT)
	BPH25	COLLAR NUT - FINE THREAD (OLDER STYLE)
21.	BP632	RUBBER GASKET, GRAY - FOR MANIFOLD W/COARSE THREADS
	BP08	RUBBER GASKET, BLACK - FOR MANIFOLD W/FINE THREADS

Part numbers in bold italics are standard replacement parts





ALLIANCE INFLATOR



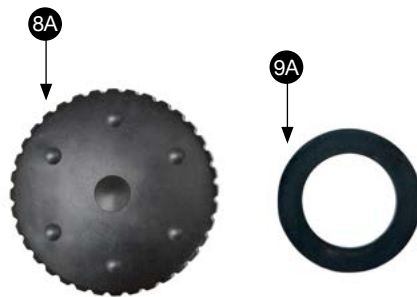
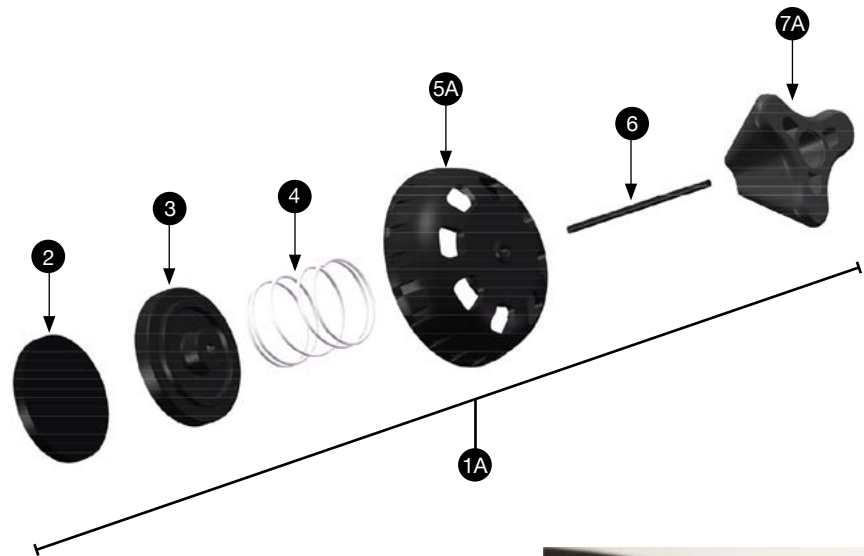
Service Kit Alliance Complete Inflator

Includes:
Part # BK01 6 8 13 14
Dealer 9.00 23 29 33

#	P/N	Description	Dealer
1	BP01	Upper Housing Cap	3.00
2	BP02	Color Ring	1.00
3	BP03	Exhaust Valve	1.00
4	BP04	Exhaust Frame	2.00
5	BP630	Exhaust Valve Spring	2.00
6	BP628	Exhaust Poppet Assembly	3.00
7	BP07	Upper Assembly Housing	7.00
8	BP08	OP Shoulder Gasket	1.00
9	BP631	Retainer Pin, Upper	1.00
10	RP250-11	"No Bump" Tie Strap	0.50
11	BP11.14	Corrugated Hose, 14" x 7/8" ID	6.00
11	BP11.16	Corrugated Hose, 16" x 7/8" ID	7.00
12	BP634-14	Cable Assembly, 14"	3.00
12	BP634-16	Cable Assembly, 16"	3.00
13	RP250-11	"No Bump" Tie Strap	0.50
14	BP14	Cone Seat	1.00
15	BP617	QD Valve Stem	2.00
16	BP618	O-ring	0.50
18	BP18	Slide Button	2.00
19	BP19	Slide Button Spring	1.00
20	BP20	Inflator Housing	5.00
21	BP21	Button Boot	1.00
22	BP22	Push Pin	1.00
23	BP23	Shrader Valve	1.00
24	BP24	Operation Assembly	6.00
25	BP25	O-ring	0.50
26	BP26	O-ring	0.50
27	BP27	Inflator Mouthpiece	2.00
28	BP28	Locator Seat	1.00
29	BP29	O-ring	0.50
30	BP30	Inflator Button Spring	1.00
31	BP31	Inflator Button Gasket	1.00
32	BP32	O-ring	0.50
33	BP33	Inflator Button	2.00
34	BP09	Retainer Pin, Lower	1.00

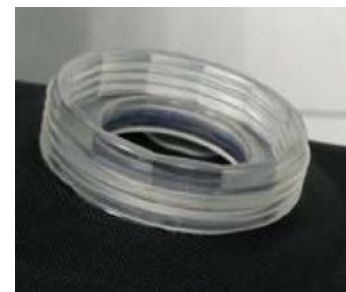
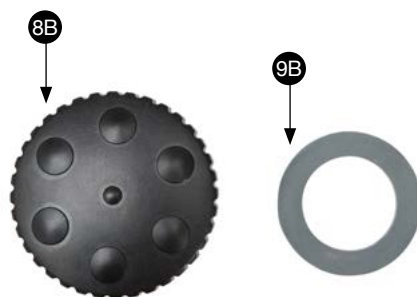
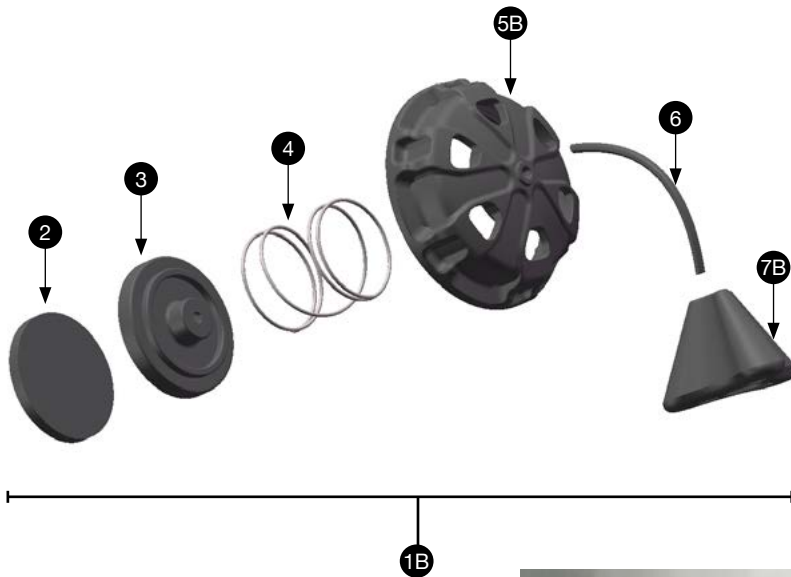


Pull Dump Assembly / Over Pressure Valve



The BP52 is used on the gray manifold with the fine thread.

#	Part #	Description
1A	BP52	Pull Dump Assembly OPV, Old Style
1B	BP58	Pull Dump Assembly OPV, Current Style
2	BP521	Valve Seal
3	BP522	Valve Seal Carrier
4	BP523	Spring
5A	BP524	OPV Cap, Old Style
5B	BP525	OPV Cap, Current Style
6	BP526	Cord
7A	BP527	Pull Bob, Black
7B	BP528	Pull Bob, Gray
8A	BPH23	Blanking Cap Fine Thread
8B	BPH24	Blanking Cap Course Thread
9A	BP08	Manifold Gasket, Black
9B	BP632	Manifold Gasket, Gray



The BP58 is used on the clear manifold with the coarse thread