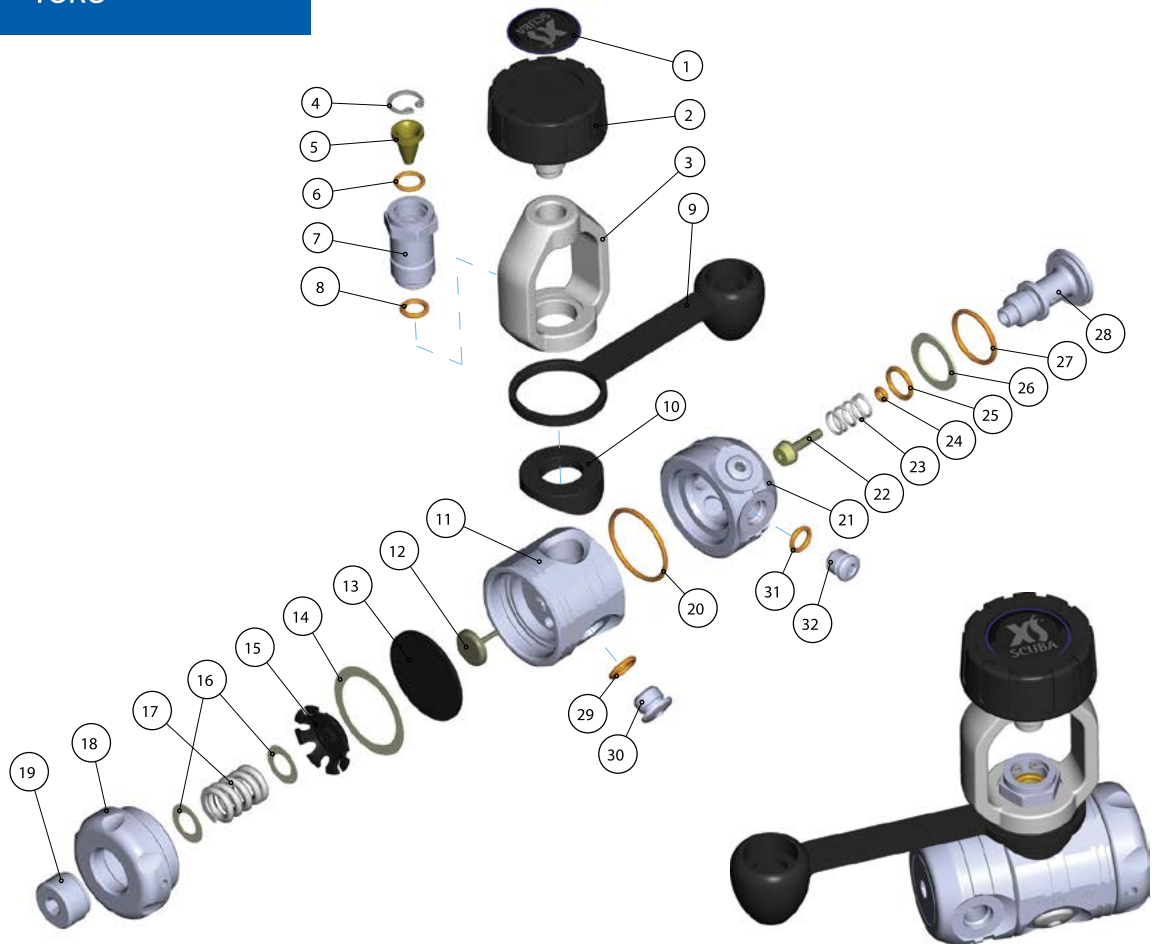




*REGULATOR  
EXPLODED DIAGRAMS*



**INSPIRE**  
Yoke



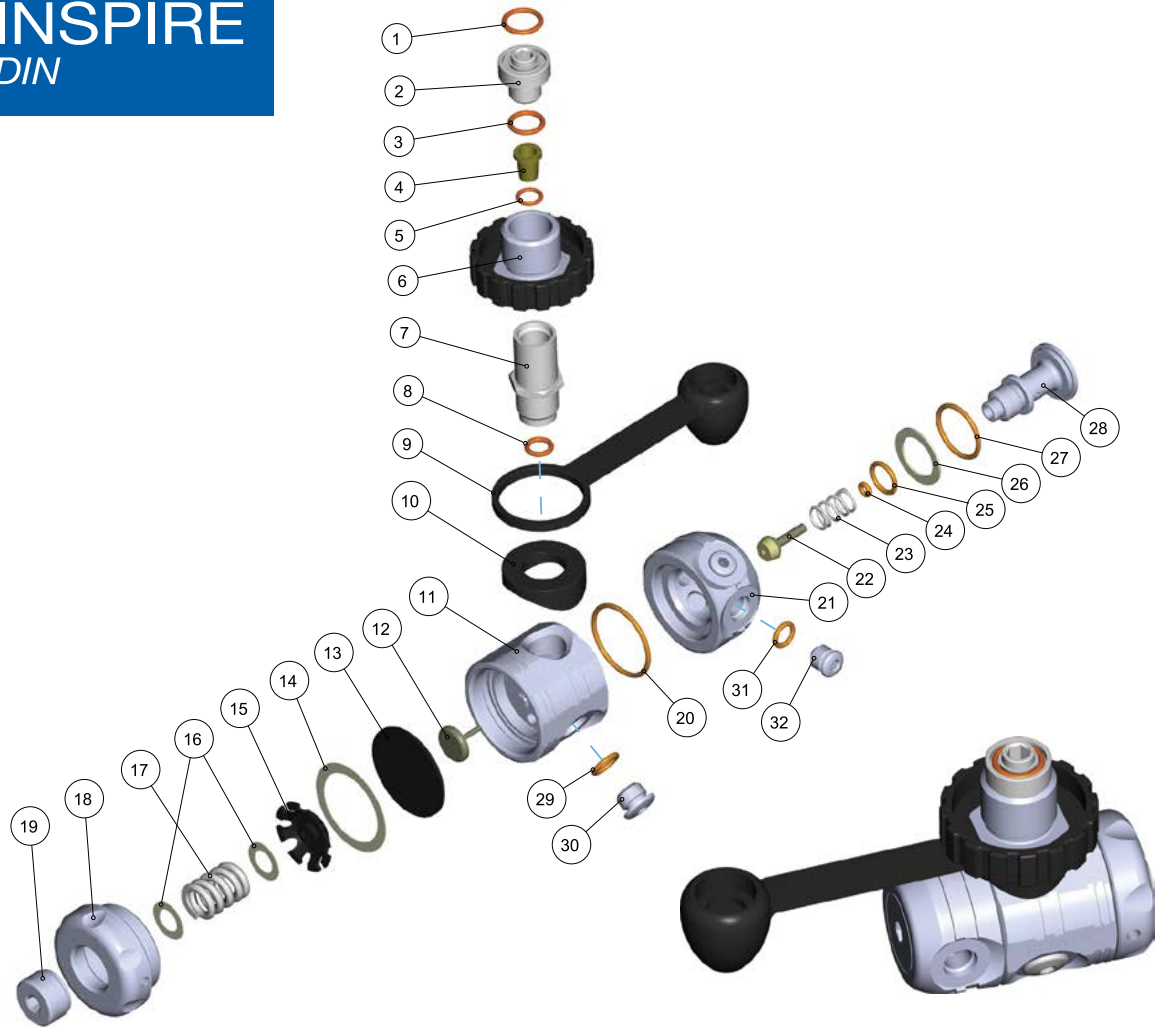
#	Part #	Description
	<b>RK13</b>	<b>SERVICE KIT - INSPIRE 1ST STG - YOKE</b>
	<b>RP500</b>	<b>COMPLETE DIN ADAPTER - INSPIRE</b>
	<b>RG500-01</b>	<b>INSPIRE 1ST STAGE YOKE</b>
1.	RP500-01	XS DECAL
2.	RP400-02	YOKE SCREW
3.	RP500-03	YOKE
4.	RP500-04	RETAINER RING
5.	<b>RP500-05</b>	<b>FILTER</b>
6.	<b>RP500-06</b>	<b>O-RING</b>
7.	RP500-07	YOKE RETAINER
8.	<b>RP400-19</b>	<b>O-RING</b>
9.	RP500-09	DUST CAP
10.	RP500-10	SADDLE
11.	RP500-08	BODY
12.	RP500-13	LIFTER
13.	<b>RP500-11</b>	<b>DIAPHRAGM</b>
14.	<b>RP500-12</b>	<b>DIAPHRAGM WASHER</b>
15.	RP500-15	SPRING SEAT
16.	RP500-16	SPRING WASHER

#	Part #	Description
17.	RP500-17	MAIN SPRING
18.	RP500-14	DIAPHRAGM CAP
19.	RP500-19	ADJUSTMENT SCREW
20.	<b>RP500-18</b>	<b>O-RING</b>
21.	RP500-21	TURRET
22.	<b>RP500-20</b>	<b>HP SEAT</b>
23.	RP500-24	VALVE SPRING
24.	<b>RP500-22</b>	<b>O-RING</b>
25.	<b>RP500-23</b>	<b>O-RING</b>
26.	RP500-25	THRUST WASHER
27.	<b>RP450-15</b>	<b>O-RING</b>
28.	RP500-28	TURRET BOLT
29.	<b>RP500-26</b>	<b>O-RING</b>
30.	RP500-30	HP PLUG
31.	<b>RP400-19</b>	<b>O-RING</b>
32.	RP500-27	MP PLUG

*Part numbers in bold italics are standard replacement parts*



**INSPIRE**  
DIN



#	Part #	Description
	<b>RP500</b>	<b>COMPLETE DIN ADAPTER - INSPIRE</b>
	<b>RG510-01</b>	<b>INSPIRE 1ST STAGE DIN</b>
1.	<b><i>RP400-21</i></b>	<b><i>O-RING</i></b>
2.	RP500-31	HANDWHEEL RETAINER
3.	<b><i>RP500-23</i></b>	<b><i>O-RING</i></b>
4.	<b><i>RP500-32</i></b>	<b><i>FILTER</i></b>
5.	<b><i>RP500-29</i></b>	<b><i>O-RING</i></b>
6.	RP400-24	HANDWHEEL
7.	RP500-33	DIN HOUSING
8.	<b><i>RP400-19</i></b>	<b><i>O-RING</i></b>
9.	RP500-09	DUST CAP
10.	RP500-10	SADDLE
11.	RP500-08	BODY
12.	RP500-13	LIFTER
13.	<b><i>RP500-11</i></b>	<b><i>DIAPHRAGM</i></b>
14.	<b><i>RP500-12</i></b>	<b><i>DIAPHRAGM WASHER</i></b>
15.	RP500-15	SPRING SEAT
16.	RP500-16	SPRING WASHER

#	Part #	Description
17.	RP500-17	MAIN SPRING
18.	RP500-14	DIAPHRAGM CAP
19.	RP500-19	ADJUSTMENT SCREW
20.	<b><i>RP500-18</i></b>	<b><i>O-RING</i></b>
21.	RP500-21	TURRET
22.	<b><i>RP500-20</i></b>	<b><i>HP SEAT</i></b>
23.	RP500-24	VALVE SPRING
24.	<b><i>RP500-22</i></b>	<b><i>O-RING</i></b>
25.	<b><i>RP500-23</i></b>	<b><i>O-RING</i></b>
26.	RP500-25	THRUST WASHER
27.	<b><i>RP450-15</i></b>	<b><i>O-RING</i></b>
28.	RP500-28	TURRET BOLT
29.	<b><i>RP500-26</i></b>	<b><i>O-RING</i></b>
30.	RP500-30	HP PLUG
31.	<b><i>RP400-19</i></b>	<b><i>O-RING</i></b>
32.	RP500-27	MP PLUG

**Part numbers in bold italics are standard replacement parts**



**INSPIRE**  
Second Stage

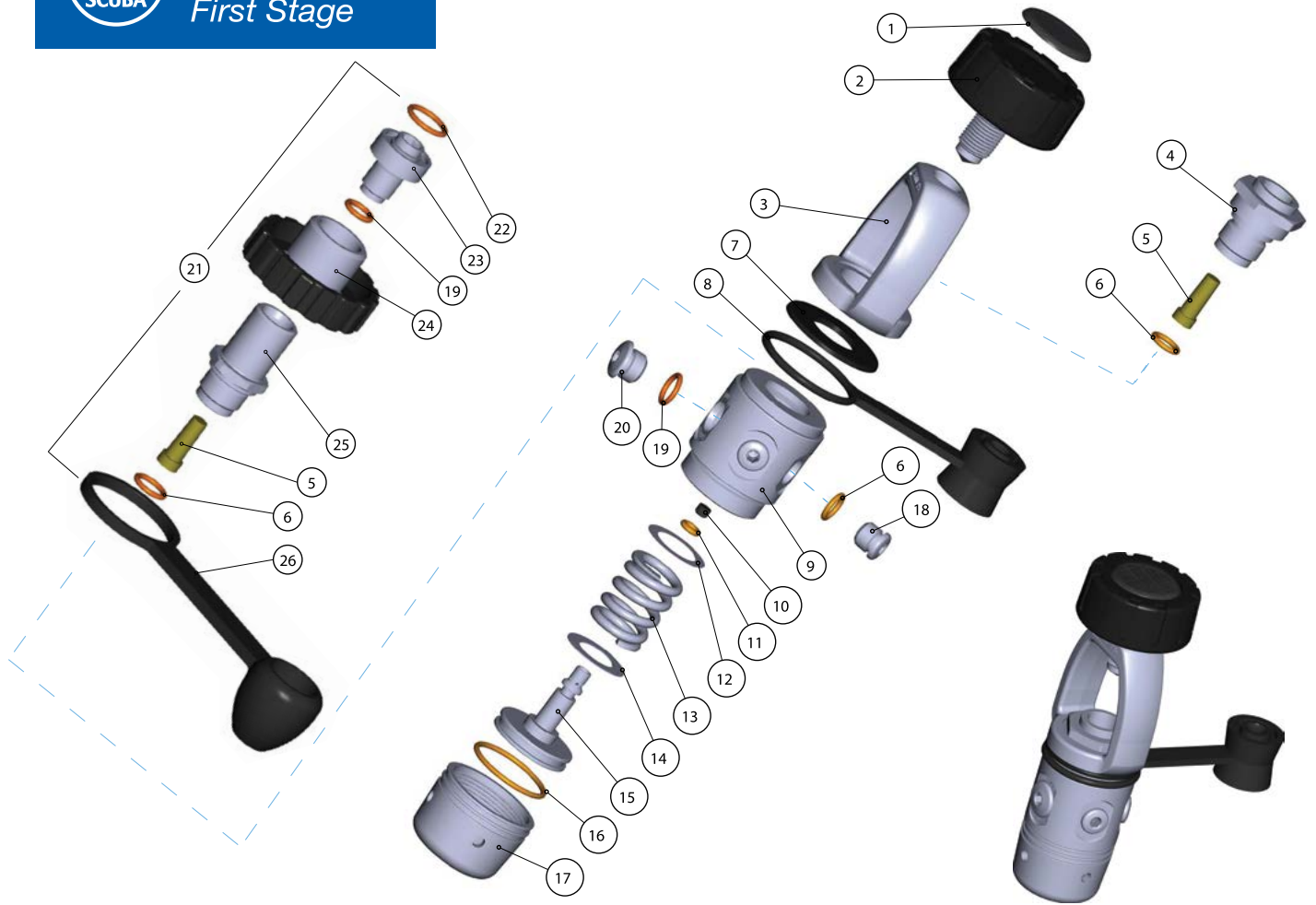


#	Part #	Description	#	Part #	Description
	<b>RK12</b>	<b>SERVICE KIT - INSPIRE 2ND STAGE</b>	<b>14.</b>	<b>RP200-19</b>	<b>O-RING</b>
	<b>RG500-02</b>	<b>INSPIRE 2ND STAGE - COMPLETE</b>	<b>15.</b>	<b>RP450-15</b>	<b>O-RING</b>
1.	RP450-01	MAIN HOUSING	16.	RP550-16	VENTURI DEFLECTOR
2.	<b>RP250-11</b>	<b>NO BUMP TIE WRAP</b>	17.	RP450-17	VALVE HOUSING
3.	AC331BU	MOUTHPIECE (BK+BU)	18.	RP450-18	RETAINING PIN
4.	RP550-04	EXHAUST VALVE	19.	RP450-19	LEVER
5.	RP450-05	EXHAUST COVER	<b>20.</b>	<b>RP450-20</b>	<b>LP SEAT</b>
6.	<b>RP450-06</b>	<b>O-RING</b>	21.	RP450-21	POPPET
7.	RP450-07	BUSHING	<b>22.</b>	<b>RP450-22</b>	<b>O-RING</b>
8.	RP450-08	NUT	23.	RP450-23	MAIN SPRING
9.	RP550-09	DIAPHRAGM	24.	RP450-24	BALANCE CYLINDER
10.	RP450-10	DIAPHRAGM WASHER	<b>25.</b>	<b>RP200-29</b>	<b>O-RING</b>
11.	RP550-11	FRONT COVER, INSPIRE	26.	RP550-26	ADJUSTMENT KNOB MATTE BLACK
12.	RP450-12	COVER RING, MATTE	27.	RP550-27	ADJUSTMENT KNOB DECAL
13.	RP450-13	ORIFICE (SS)	28.	RP550-30	HOSE, 30" MIFLEX BLACK W/ BLUE

**Part numbers in bold italics are standard replacement parts**



**BRAWN**  
First Stage



#	Part #	Description
---	--------	-------------

	<b>RK11</b>	<b>SERVICE KIT - BRAWN 1ST STAGE - YOKE / DIN</b>
	<b>RG400-01</b>	<b>BRAWN 1ST STAGE-YOKE</b>

1.	RP400-01	XS DECAL
2.	RP400-02	YOKE SCREW
3.	RP400-03	YOKE
4.	RP400-17	YOKE RETAINER
5.	<b><i>RP400-18</i></b>	<b><i>FILTER</i></b>
6.	<b><i>RP400-19</i></b>	<b><i>O-RING</i></b>
7.	RP400-04	SPACER
8.	RP400-05	DUST CAP
9.	RP400-06	BODY
10.	<b><i>RP400-09</i></b>	<b><i>HP SEAT</i></b>
11.	<b><i>RP400-10</i></b>	<b><i>O-RING</i></b>
12.	<b><i>RP400-11</i></b>	<b><i>SHIM-THIN</i></b>
13.	RP400-12	MAIN SPRING

#	Part #	Description
---	--------	-------------

14.	<b><i>RP400-13</i></b>	<b><i>SHIM-THICK</i></b>
15.	RP400-14	PISTON
16.	<b><i>RP400-15</i></b>	<b><i>O-RING</i></b>
17.	RP400-16	PISTON CAP
18.	RP200-32	MP PLUG
19.	<b><i>RP200-17</i></b>	<b><i>O-RING</i></b>
20.	RP200-16	HP PLUG

21.	RP400	DIN CONNECTOR, COMPLETE
22.	<b><i>RP400-21</i></b>	<b><i>O-RING</i></b>
23.	RP400-22	HANDWHEEL RETAINER
24.	RP400-24	HANDWHEEL
25.	RP400-25	DIN HOUSING
26.	RP400-28	DIN DUST CAP

**Part numbers in bold italics are standard replacement parts**



**BRAWN**  
Second Stage

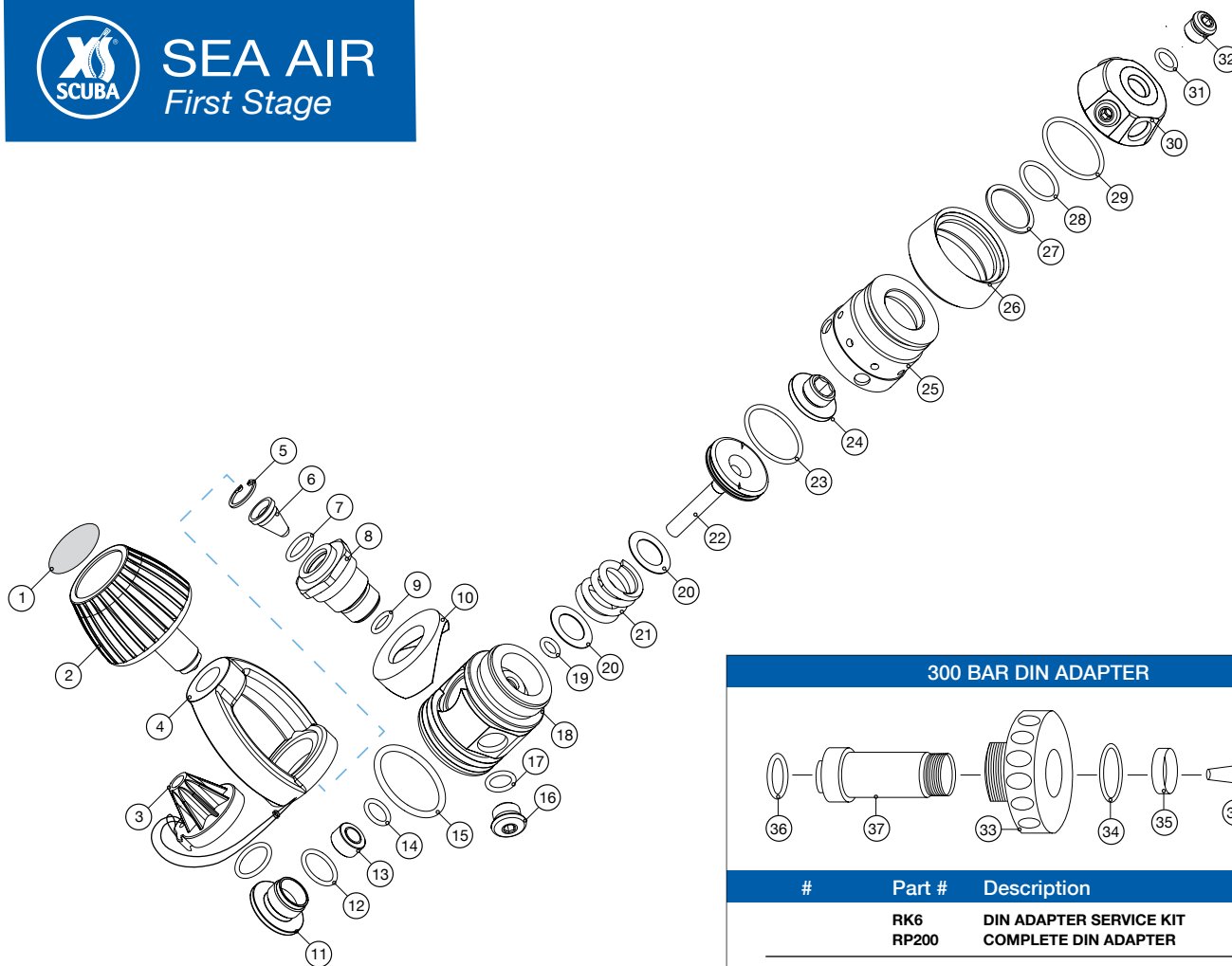


#	Part #	Description	#	Part #	Description
	<b>RK12</b>	<b>SERVICE KIT - BRAWN 2ND STAGE</b>	<b>14.</b>	<b>RP200-19</b>	<b>O-RING</b>
	<b>RG400-02</b>	<b>BRAWN 2ND STAGE - COMPLETE</b>	<b>15.</b>	<b>RP450-15</b>	<b>O-RING</b>
1.	RP450-01	MAIN HOUSING	16.	RP450-16	VENTURI DEFLECTOR
2.	<b>RP250-11</b>	<b>NO BUMP TIE WRAP</b>	17.	RP450-17	VALVE HOUSING
3.	AC330GY	MOUTHPIECE (BK+GY)	18.	RP450-18	RETAINING PIN
4.	RP450-04	EXHAUST VALVE, RED	19.	RP450-19	LEVER
5.	RP450-05	EXHAUST COVER	<b>20.</b>	<b>RP450-20</b>	<b>LP SEAT</b>
<b>6.</b>	<b>RP450-06</b>	<b>O-RING</b>	21.	RP450-21	POPPET
7.	RP450-07	BUSHING	<b>22.</b>	<b>RP450-22</b>	<b>O-RING</b>
8.	RP450-08	NUT	23.	RP450-23	MAIN SPRING
9.	RP450-09	DIAPHRAGM, RED	24.	RP450-24	BALANCE CYLINDER
10.	RP450-10	DIAPHRAGM WASHER	<b>25.</b>	<b>RP200-29</b>	<b>O-RING</b>
11.	RP450-11	FRONT COVER, BRAWN	26.	RP450-26	ADJUSTMENT SCREW
12.	RP450-12	COVER RING, MATTE	27.	LP30	HOSE, 30" BLACK RUBBER
13.	RP450-13	ORIFICE (SS)			

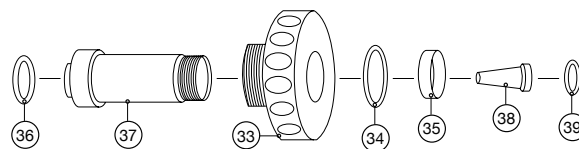
*Part numbers in bold italics are standard replacement parts*



SEA AIR  
First Stage



300 BAR DIN ADAPTER



#	Part #	Description
	<b>RK6</b>	<b>DIN ADAPTER SERVICE KIT</b>
	<b>RP200</b>	<b>COMPLETE DIN ADAPTER</b>
33.	RP200-33	HANDWHEEL
34.	RP200-34	WASHER
35.	RP200-35	SPACER
36.	<b>RP200-36</b>	<b>O-RING</b>
37.	RP200-37	DIN RETAINER
38.	<b>RP200-38</b>	<b>FILTER</b>
39.	<b>RP200-17</b>	<b>O-RING</b>

Part numbers in bold italics are standard replacement parts

#	Part #	Description
	<b>RK1</b>	<b>SERVICE KIT - SEA AIR 1ST STAGE - YOKE</b>
1.	RP200-01	YOKE SCREW DECAL
2.	RP200-02	YOKE SCREW
3.	RP200-03	DUST CAP w/SPRING & O-RING
4.	RP200-04	YOKE
5.	<b>RP200-05</b>	<b>RETAINING CLIP</b>
6.	<b>RP200-06</b>	<b>FILTER</b>
7.	<b>RP200-07</b>	<b>O-RING</b>
8.	RP200-08	YOKE RETAINER
9.	<b>RP200-29</b>	<b>O-RING</b>
10.	RP200-10	SADDLE
11.	RP200-11	HP SEAT RETAINER
12.	<b>RP200-12</b>	<b>O-RING</b>
13.	<b>RP200-13</b>	<b>HP SEAT</b>
14.	<b>RP200-07</b>	<b>O-RING</b>
15.	RP200-15	O-RING
16.	RP200-16	HP PORT PLUG

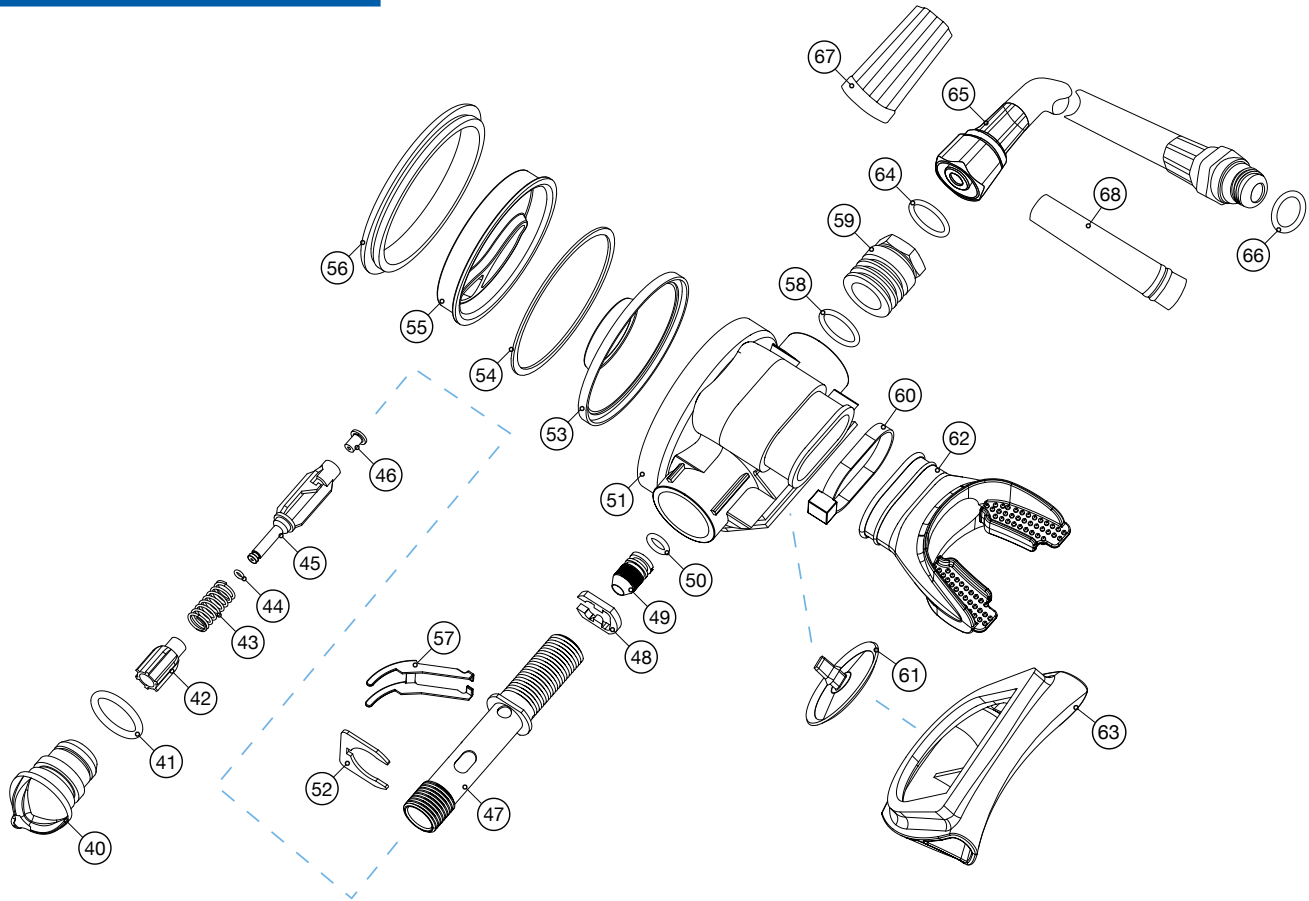
#	Part #	Description
17.	RP200-17	O-RING
18.	RP200-18	MAIN BODY
19.	<b>RP200-19</b>	<b>O-RING</b>
20.	RP200-20	SPRING WASHER
21.	RP200-21	HP SPRING
22.	RP200-22	PISTON
23.	<b>RP200-23</b>	<b>O-RING</b>
24.	RP200-24	SWIVEL RETAINER
25.	RP200-25	PISTON CAP
26.	RP200-26	COLLAR
27.	RP200-27	WASHER
28.	<b>RP200-28</b>	<b>O-RING</b>
29.	<b>RP200-39</b>	<b>O-RING</b>
30.	RP200-30	SWIVEL CAP
31.	RP200-29	O-RING
32.	RP200-32	LP PORT PLUG

Part numbers in bold italics are standard replacement parts



# SEA AIR

Second Stage



#	Part #	Description
	RK2	SERVICE KIT - SEA AIR 2ND STAGE
40.	RP250-01	ADJUSTMENT KNOB
<b>41.</b>	<b>RP250-02</b>	<b>O-RING</b>
42.	RP250-03	BALANCE SHUTTLE CAP
43.	RP250-04	LP SPRING
<b>44.</b>	<b>RP250-05</b>	<b>O-RING</b>
45.	RP250-06	POPPET
<b>46.</b>	<b>RP250-07</b>	<b>LP SEAT</b>
47.	RP250-08	AIR BARREL - BRASS
47.	RP250-08S	AIR BARREL - TITANIUM
<b>48.</b>	<b>RP250-09</b>	<b>LEVER PAD</b>
49.	RP250-10	ADJUSTABLE ORIFICE
<b>50.</b>	<b>RP200-19</b>	<b>O-RING</b>
51.	RP250-12	HOUSING BODY
52.	RP250-13	RETAINING CLIP
53.	RP250-14	DIAPHRAGM

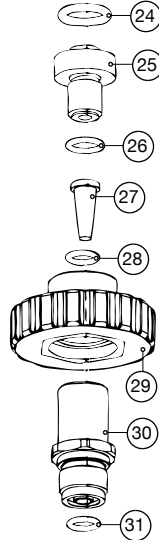
#	Part #	Description
54.	RP250-15	THRUST WASHER
55.	RP250-16	FRONT COVER
56.	RP250-17	RETAINING RING - ALUMINUM
57.	RP250-18	LEVER
57.	RP250-18T	LEVER - TITANIUM
<b>58.</b>	<b>RP200-12</b>	<b>O-RING</b>
59.	RP250-20	INLET FITTING
<b>60.</b>	<b>RP250-11</b>	<b>"NO BUMP" TIE STRAP</b>
61.	RP250-22	EXHAUST VALVE
62.	RP250-23	MOUTHPIECE
63.	RP250-24	EXHAUST TEE
<b>64.</b>	<b>RP200-19</b>	<b>O-RING</b>
65.	LP30	LP HOSE - 30"
<b>66.</b>	<b>RP200-29</b>	<b>O-RING</b>
67.	RP250-25	HOSE PROTECTOR
68.	RP250-26	HOSE COVER

**Part numbers in bold italics are standard replacement parts**



**SPIRIT**  
First Stage

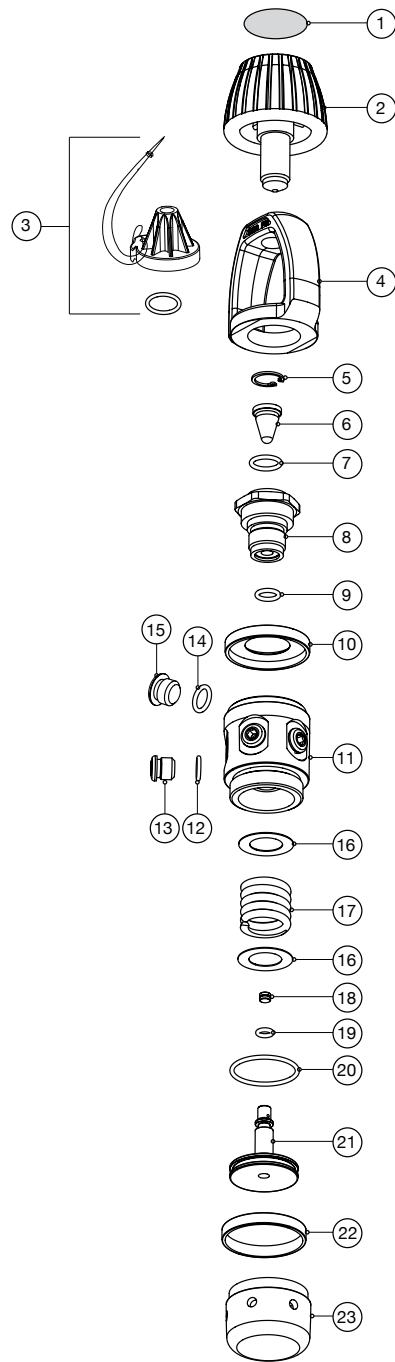
### 300 BAR DIN ADAPTER



#### DESCRIPTION

	RK7	DIN ADAPTER SERVICE KIT
	RP100	COMPLETE DIN ADAPTER
<b>24.</b>	<b>RP200-36</b>	<b>O-RING</b>
25.	RP100-25	FILTER RETAINER
<b>26.</b>	<b>RP200-17</b>	<b>O-RING</b>
<b>27.</b>	<b>RP200-38</b>	<b>FILTER</b>
<b>28.</b>	<b>RP200-29</b>	<b>O-RING</b>
29.	RP100-29	HANDWHEEL
30.	RP100-30	DIN RETAINER
<b>31.</b>	<b>RP200-29</b>	<b>O-RING</b>

*Part numbers in bold italics are standard replacement parts*



#	Part #	Description
	RK3	SERVICE KIT - SPIRIT 1ST STAGE - YOKE
1.	RP200-01	YOKE SCREW DECAL
2.	RP200-02	YOKE SCREW
3.	RP200-03	DUST CAP w/STRING & O-RING
4.	RP100-04	YOKE
<b>5.</b>	<b>RP200-05</b>	<b>RETAINING CLIP</b>
<b>6.</b>	<b>RP200-06</b>	<b>FILTER</b>
<b>7.</b>	<b>RP200-07</b>	<b>O-RING</b>
8.	RP100-08	YOKE RETAINER
<b>9.</b>	<b>RP200-29</b>	<b>O-RING</b>
10.	RP100-10	SADDLE
11.	RP100-11	MAIN BODY
12.	RP200-29	O-RING

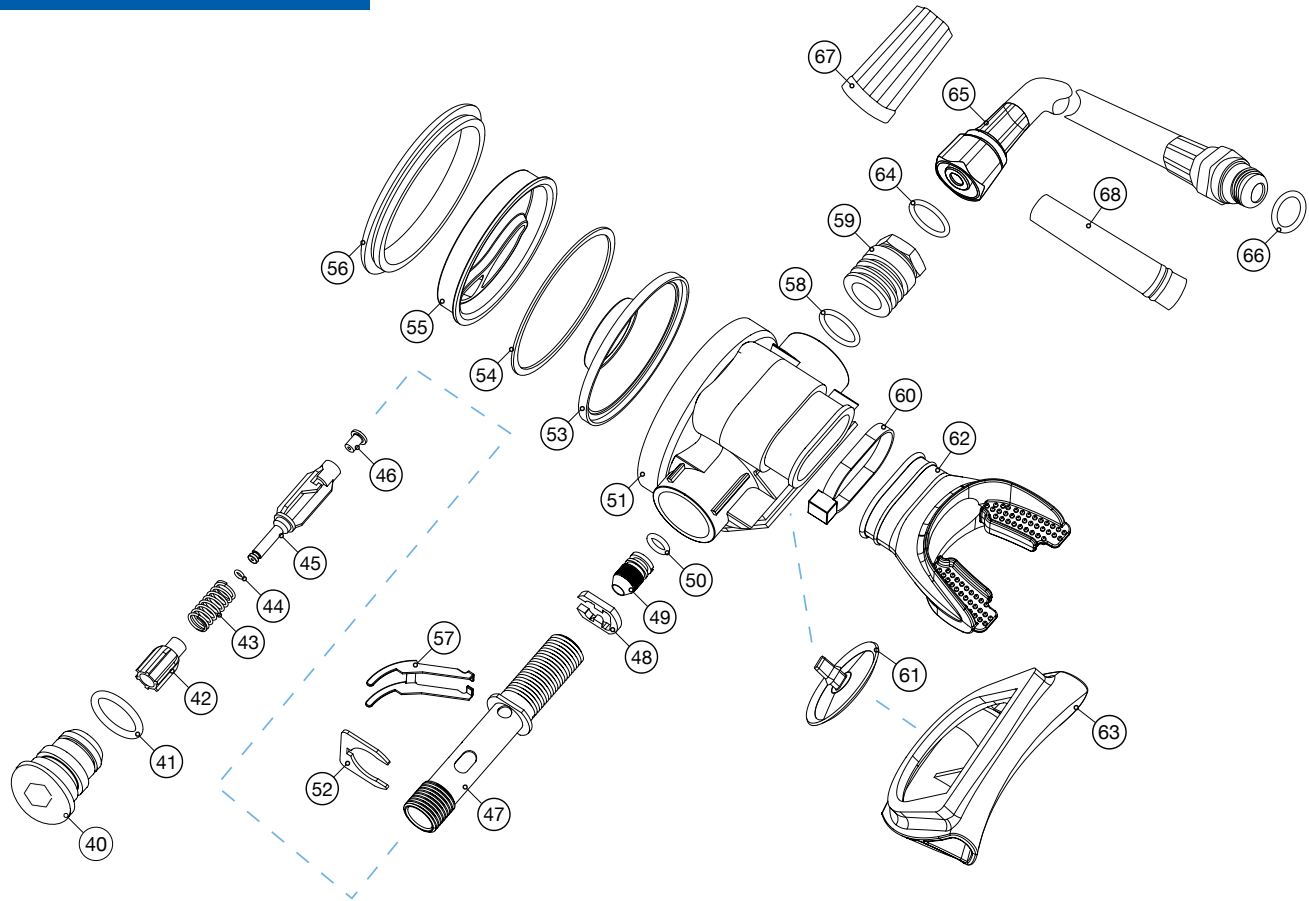
#	Part #	Description
13.	RP200-32	LP PORT PLUG
14.	RP200-17	O-RING
15.	RP200-16	HP PORT PLUG
16.	RP400-13	SPRING WASHER
17.	RP100-17	HP SPRING
<b>18.</b>	<b>RP100-18</b>	<b>HP SEAT</b>
<b>19.</b>	<b>RP100-19</b>	<b>O-RING</b>
<b>20.</b>	<b>RP200-39</b>	<b>O-RING</b>
21.	RP100-21	PISTON
22.	RP100-22	COLLAR
23.	RP100-23	PISTON CAP

*Part numbers in bold italics are standard replacement parts*



# SPiRiT

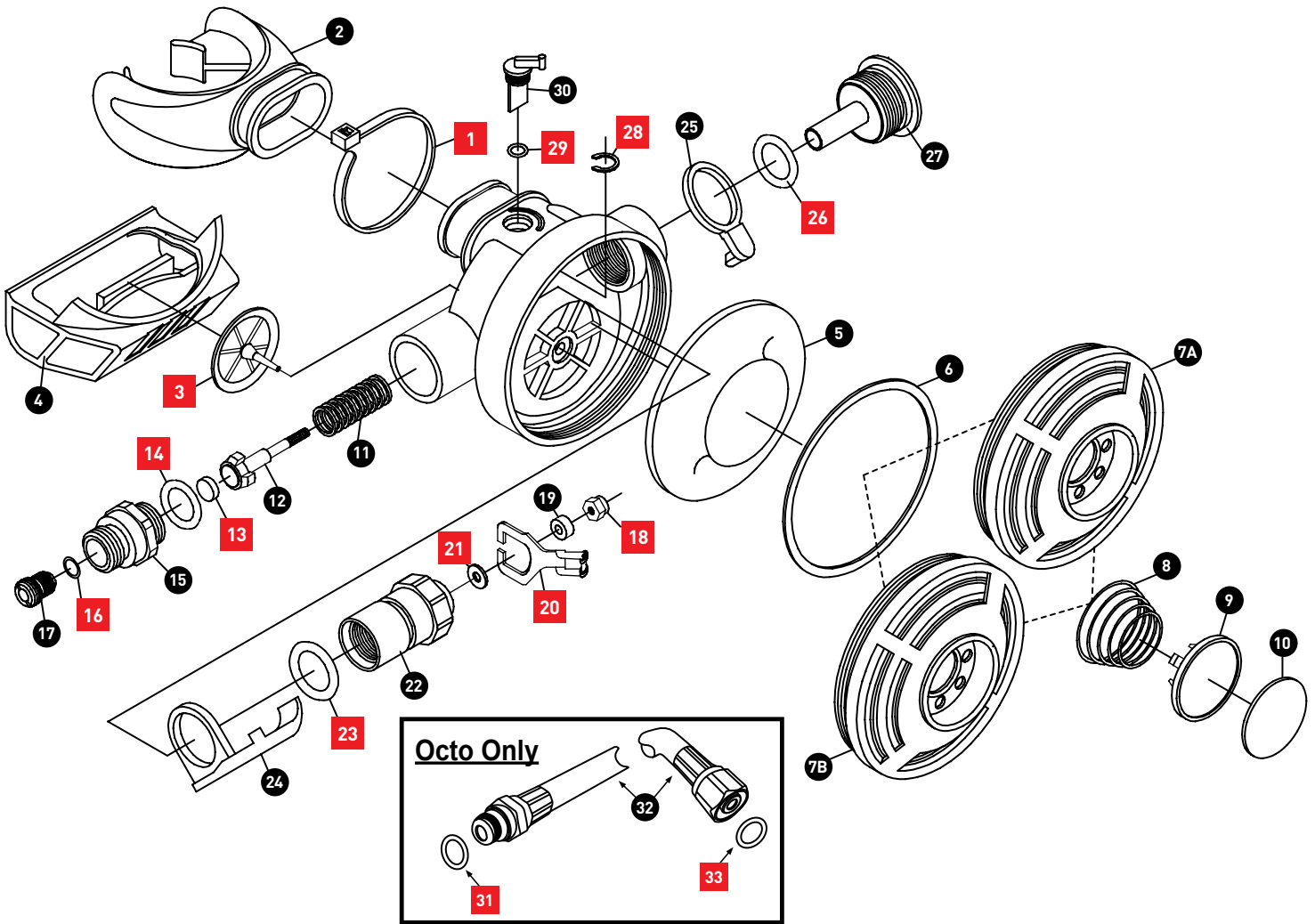
Second Stage



#	Part #	Description	#	Part #	Description
	RK2	SERVICE KIT - SPIRIT 2ND STAGE	54.	RP250-15	THRUST WASHER
40.	RP250-28	PLUG	55.	RP250-29	FRONT COVER
<b>41.</b>	<b>RP250-02</b>	<b>O-RING</b>	56.	RP250-30	RETAINING RING - PLASTIC
42.	RP250-03	BALANCE SHUTTLE CAP	57.	RP250-18	LEVER
43.	RP250-04	LP SPRING	57.	RP250-18T	LEVER - TITANIUM
<b>44.</b>	<b>RP250-05</b>	<b>O-RING</b>	<b>58.</b>	<b>RP200-12</b>	<b>O-RING</b>
45.	RP250-06	POPPET	59.	RP250-20	INLET FITTING
<b>46.</b>	<b>RP250-07</b>	<b>LP SEAT</b>	<b>60.</b>	<b>RP250-11</b>	<b>"NO BUMP" TIE STRAP</b>
47.	RP250-08	AIR BARREL - BRASS	61.	RP250-22	EXHAUST VALVE
47.	RP250-08S	AIR BARREL - TITANIUM	62.	RP250-23	MOUTHPIECE
<b>48.</b>	<b>RP250-09</b>	<b>LEVER PAD</b>	63.	RP250-24	EXHAUST TEE
49.	RP250-10	ADJUSTABLE ORIFICE	<b>64.</b>	<b>RP200-19</b>	<b>O-RING</b>
<b>50.</b>	<b>RP200-19</b>	<b>O-RING</b>	65.	LP30	LP HOSE - 30"
51.	RP250-12	HOUSING BODY	<b>66.</b>	<b>RP200-29</b>	<b>O-RING</b>
52.	RP250-13	RETAINING CLIP	67.	RP250-25	HOSE PROTECTOR
53.	RP250-14	DIAPHRAGM	68.	RP250-26	HOSE COVER

*Part numbers in bold italics are standard replacement parts*

# HOOKAH & OCTO EXPLODED VIEW



## Service Kit Octo Second Stage

Part #	Includes:							
<b>RK9</b>	1	3	13	14	16	18	20	
<b>Dealer 9.00</b>	21	23	26	28	29	31	33	

## Service Kit Hookah Second Stage

Part #	Includes:					
<b>RK10</b>	1	3	13	14	16	18
<b>Dealer 9.00</b>	20	21	23	26	28	29

#	Part #	Description	Dealer	#	Part #	Description	Dealer	#	Part #	Description	Dealer
1	RP250-11	Tie Strap	0.50	10	RP310-10E	Purge Sticker - Octo Circular Logo	2.00	22	RP310-22	Lever Support	8.00
2	RP310-02	Mouthpiece	3.50	11	RP310-11A	Spring - Hookah 50-80 psi	2.50	23	RP310-23	O-ring	0.50
3	RP310-03	Exhaust Valve	2.50			Hookah 80-110 psi		24	RP310-24	Deflector	2.00
4	RP310-04	Exhaust Tee	6.00	11	RP310-11D	Spring - Hookah 110-140 psi	2.50	25	RP310-25	Locking Key	2.00
5	RP310-05	Diaphragm	5.00			Standard Octopus		26	RP310-26	O-ring	0.50
6	RP310-06	Thrust Washer	1.00	12	RP310-12	Poppet	4.00	27	RP310-27	Plug	2.00
7A	RP310-07A	Front Cover - Black	5.00	13	RP310-13	Low Pressure Seat	1.00	28	RP310-28	C-clip	1.00
7B	RP310-07B	Front Cover - Neon Yellow	5.00	14	RP310-14	O-ring	0.50	29	RP310-29	O-ring	0.50
7C	RP310-07C	Front Cover - Mellow Yellow	5.00	15	RP310-15	Inlet Fitting	4.00	30	RP310-30	Switch	2.00
8	RP310-08	Purge Spring	1.00	16	RP310-16	O-ring	0.50	31	RP200-29	O-ring	0.50
9	RP310-09	Purge Button	1.00	17	RP310-17	Adjustable Orifice	4.00	32	LP36	LP Hose - 36" Black	14.50
10	RP310-10A	Purge Sticker - Hookah 50-80 psi	2.00	18	RP310-18	Lock Nut	1.00	33	RP200-19	O-ring	0.50
10	RP310-10B	Purge Sticker - Hookah 80-110 psi	2.00	19	RP310-19	Spacer	1.00				
10	RP310-10C	Purge Sticker - Hookah 110-140 psi	2.00	20	RP310-20	Lever	3.00				
10	RP310-10D	Purge Sticker - Octo	2.00	21	RP310-21	Washer	1.00				

## COMPACT DIN / ARGON FIRST STAGE

### HL406 Compact DIN 1st Stage

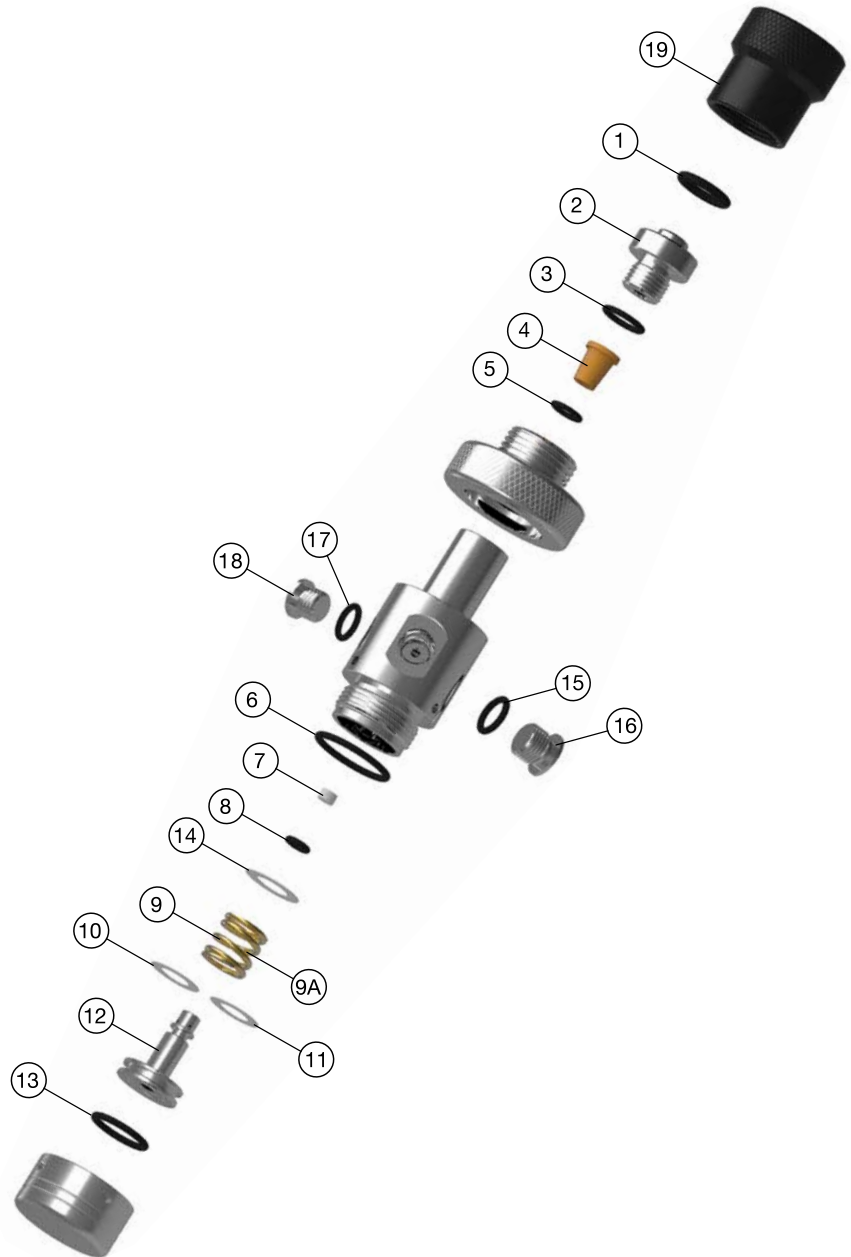
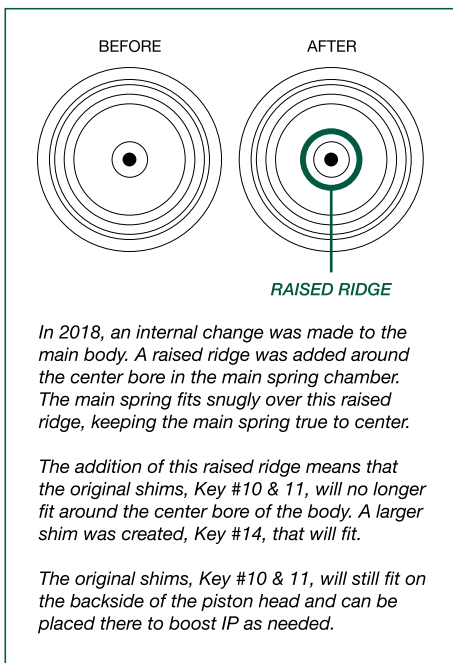
Maximum Supply Pressure = 3000 psi (207 bar)  
Intermediate Pressure = 135-145 psi (9.3-10 bar)

### HL405 Argon DIN 1st Stage (Black)

Maximum Supply Pressure = 3000 psi (207 bar)  
Intermediate Pressure = 115-125 psi (8-8.6 bar)

#### Service Note:

Adjust intermediate pressure by adding or removing shim washers as needed.



#	Part #	Description	#	Part #	Description
	<b>RK8</b>	<b>SERVICE KIT - COMPACT DIN 1ST STAGE / ARGON REGULATOR</b>	10.	RPH-10	SHIM, 14MM OD, .25 MM THICK
1.	<b>RPH-01</b>	<b>O-RING, VITON</b>	11.	RPH-11	SHIM, 14MM OD, .50 MM THICK
2.	RPH-02	DIN RETAINER	12.	RPH-12	PISTON
3.	<b>RPH-03</b>	<b>O-RING, VITON</b>	<b>13.</b>	<b>RPH-13</b>	<b>O-RING, VITON</b>
4.	<b>RPH-04</b>	<b>INLET FILTER</b>	14.	RPH-14	SHIM, 17MM OD, .25 MM THICK
5.	<b>RPH-05</b>	<b>O-RING, VITON</b>	15.	RP200-17	HP PORT O-RING, VITON
6.	<b>RPH-06</b>	<b>O-RING, VITON</b>	16.	RP200-16	HP PORT PLUG
7.	<b>RPH-07</b>	<b>HIGH-PRESSURE SEAT</b>	17.	RP400-19	MP PORT O-RING, VITON
8.	<b>RPH-08</b>	<b>O-RING, VITON</b>	18.	RP200-32	MP PORT PLUG
9.	RPH-09	MAIN SPRING	19.	HL401	DIN CAP, DELRIN W/ CORD
9A.	RPH-09A	MAIN SPRING, ARGON REGULATOR			

*Part numbers in bold italics are standard replacement parts*